

**AIR CONDITIONER COMPONENT**  
**1-1/2 THRU 5 TONS**  
**208 / 230 Volt, 1-phase, 60 Hz**

**GRANDAIR®**  
*Heating & Cooling Products*



**WCA3\*\*2**

Model Number	Size (tons)	Nominal BTU/hr	Min. Circuit Ampacity	Max. Fuse or Breaker	Operating Dimensions height x width x depth in.(mm)	Ship / Operating Weight lbs.(kg)
WCA3182GKR	1-1/2	18,000	10.9	15	24-13/16 x 23-1/8 x 23-1/8 (630 x 587 x 587)	120 / 109 (54 / 49)
WCA3242GKR	2	24,000	14.0	20	28-7/16 x 23-1/8 x 23-1/8 (722 x 587 x 587)	124 / 113 (56 / 51)
WCA3302GKR	2-1/2	30,000	17.7	30	28-7/16 x 23-1/8 x 23-1/8 (722 x 587 x 587)	127 / 117 (58 / 53)
WCA3362GKR	3	36,000	20.4	30	24-13/16 x 31-3/16 x 31-3/16 (630 x 792 x 792)	158 / 141 (72 / 64)
WCA3422GKR	3-1/2	42,000	25.4	40	31-13/16 x 31-3/16 x 31-3/16 (808 x 792 x 792)	188 / 172 (85 / 78)
WCA3482GKR	4	48,000	26.7	40	42 x 31-3/16 x 31-3/16 (1067 x 792 x 792)	210 / 184 (95 / 84)
WCA3602GKR	5	60,000	33.0	50	35-3/16 x 31-3/16 x 31-3/16 (894 x 792 x 792)	230 / 217 (104 / 98)

**ALL MODELS**

**REFRIGERATION CIRCUIT**

- Scroll compressors on all models
- Compressors contain proper charge of mineral oil
- Copper tube / aluminum fin coil

**EASY TO INSTALL AND SERVICE**

- Easy Access service valves on all models
- External high and low refrigerant service ports
- Only two screws to access control panel
- Factory charged with dry nitrogen holding charge
  - For use with R-22 refrigerant

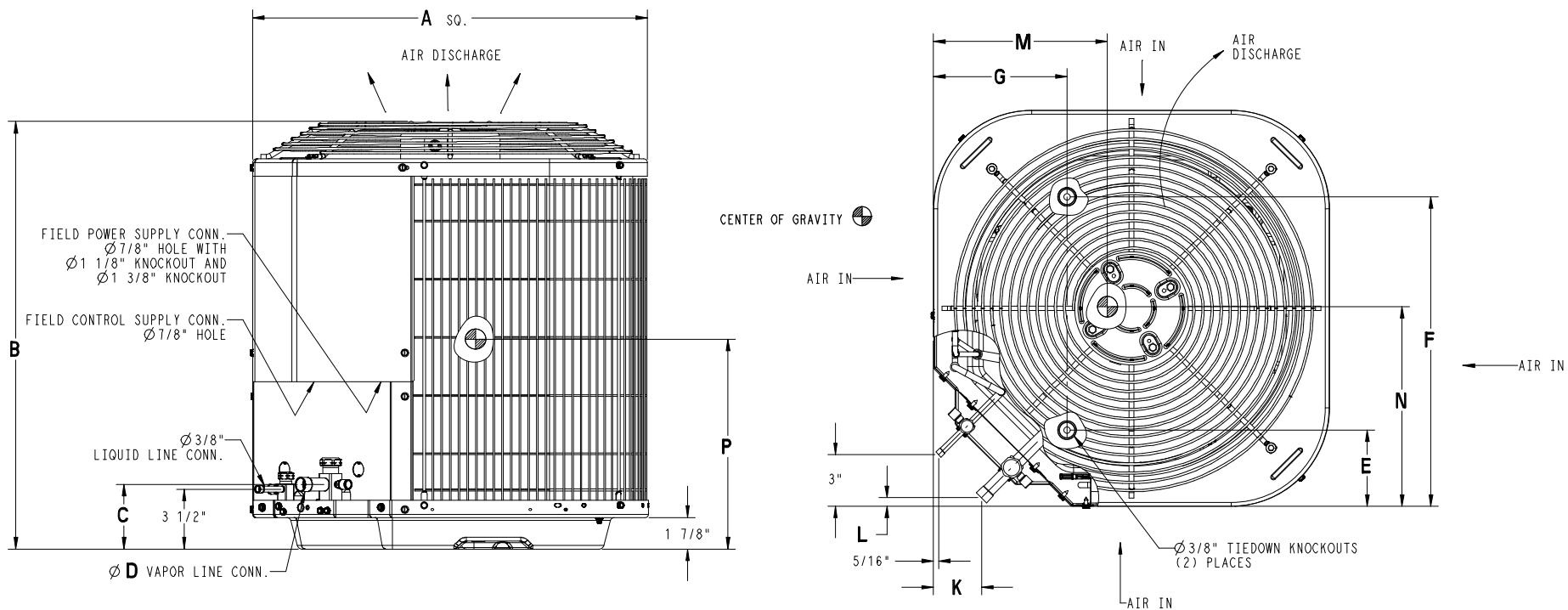
**BUILT TO LAST**

- Pre-painted cabinet finish over galvanized steel
- Coated inlet grille with 3/8" (10mm) spacing for extra protection (hail guard)

**LIMITED WARRANTY\***

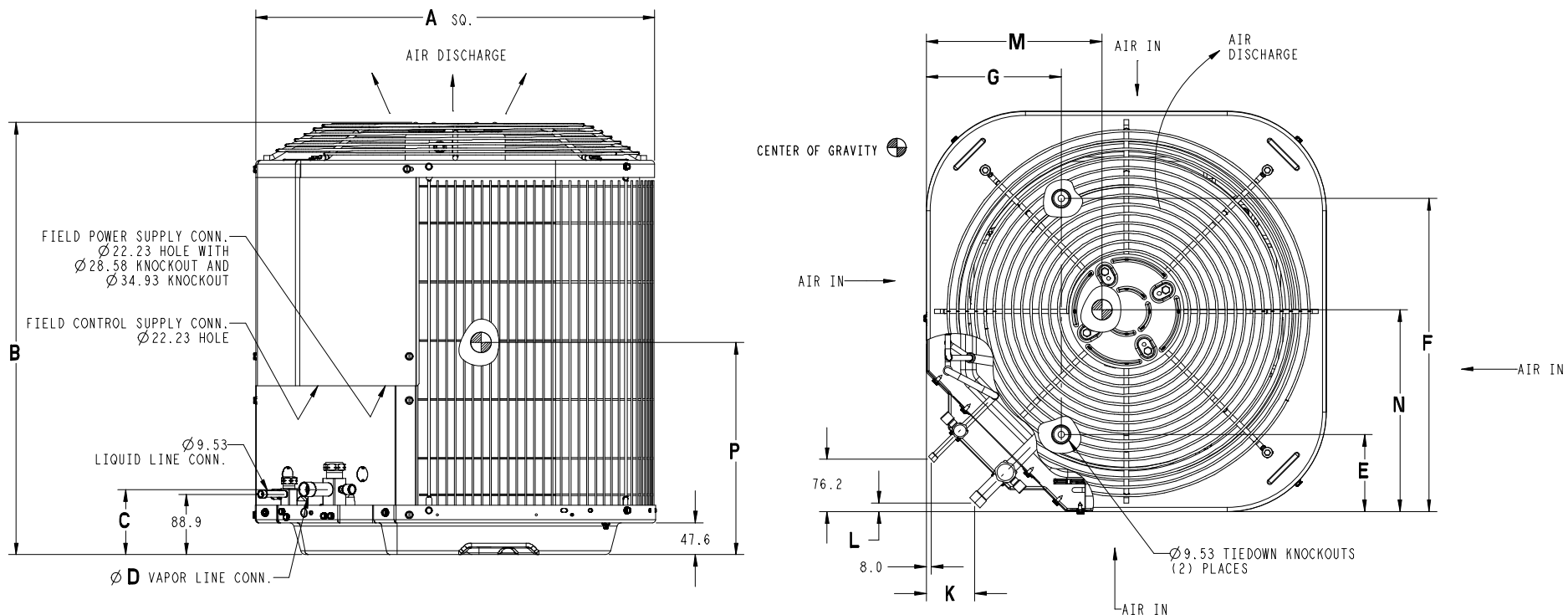
- 5 year parts limited warranty (including compressor and coil)
- \* Applies to original purchaser/homeowner, some limitations may apply. See Warranty certificate for complete details.

**Product Specifications**



All Dimensions Inches (English)

Model	All Dimensions Inches (English)												Minimum Mounting Pad Size	Crated Dimensions H x W x D
	A	B	C	D	E	F	G	K	L	M	N	P		
WCA3182GKR	23-1/8	24-13/16	3-3/4	3/4	4-7/16	18-1/16	7-13/16	2-13/16	1/2	12	11-3/4	11-7/8	23-1/2 X 23-1/2	27-3/16 X 24-1/8 x 24-1/8
WCA3242GKR	23-1/8	28-7/16	3-3/4	3/4	4-7/16	18-1/16	7-13/16	2-13/16	1/2	12	11-3/4	12-1/2	23-1/2 X 23-1/2	30-5/8 X 24-1/8 x 24-1/8
WCA3302GKR	23-1/8	28-7/16	3-3/4	3/4	4-7/16	18-1/16	7-13/16	2-13/16	1/2	12	11-3/4	12-7/8	23-1/2 X 23-1/2	30-5/8 X 24-1/8 x 24-1/8
WCA3362GKR	31-3/16	24-13/16	3-7/8	7/8	6-9/16	24-11/16	9-1/8	2-15/16	5/8	16	15-1/2	11-5/8	31-1/2 X 31-1/2	27-3/16 X 32-3/16 x 32-3/16
WCA3422GKR	31-3/16	31-13/16	3-7/8	7/8	6-9/16	24-11/16	9-1/8	2-15/16	5/8	16	15-1/2	13-3/4	31-1/2 X 31-1/2	34 X 32-3/16 x 32-3/16
WCA3482GKR	31-3/16	42	3-7/8	7/8	6-9/16	24-11/16	9-1/8	2-15/16	5/8	16	15-1/2	17	31-1/2 X 31-1/2	44-1/4 X 32-3/16 x 32-3/16
WCA3602GKR	31-3/16	35-3/16	3-7/8	7/8	6-9/16	24-11/16	9-1/8	2-15/16	5/8	16	15-1/2	15-1/4	31-1/2 X 31-1/2	37-7/16 X 32-3/16 x 32-3/16



Model	All Dimensions mm (SI Metric)												Minimum Mounting Pad Size	Crated Dimensions H x W x D
	A	B	C	D	E	F	G	K	L	M	N	P		
WCA3182GKR	587	630	95	19	113	459	198	71	13	305	298	302	597 x 597	691 x 613 x 613
WCA3242GKR	587	722	95	19	113	459	198	71	13	305	298	318	597 x 597	778 x 613 x 613
WCA3302GKR	587	722	95	19	113	459	198	71	13	305	298	327	597 x 597	778 x 613 x 613
WCA3362GKR	792	630	98	22	167	627	232	75	16	406	394	295	800 x 800	691 x 818 x 818
WCA3422GKR	792	808	98	22	167	627	232	75	16	406	394	349	800 x 800	864 x 818 x 818
WCA3482GKR	792	1067	98	22	167	627	232	75	16	406	394	432	800 x 800	1124 x 818 x 818
WCA3602GKR	792	894	98	22	167	627	232	75	16	406	394	387	800 x 800	951 x 818 x 818

PHYSICAL DATA	PHYSICAL DATA						
Model Size	18	24	30	36	42	48	60
Nominal Cooling Capacity (BTU/hr)	18,000	24,000	30,000	36,000	42,000	48,000	60,000
Sound Rating (dBA)**	76	76	77	76	80	80	80
PSC Fan Motor HP	1/12	1/12	1/10	1/5	1/4	1/4	1/4
Fan RPM (single speed)	1100	1100	1100	1100	1100	1100	1100
Fan CFM	1700	1700	2000	3100	3400	3400	3400
Coil Face Area ft <sup>2</sup> (m <sup>2</sup> )	8.40 (0.78)	9.80 (0.91)	9.80 (0.91)	12.98 (1.21)	17.30 (1.61)	23.79 (2.21)	19.47 (1.81)
Coil Rows – fins per inch	1 – 25	1 – 25	1 – 25	1 – 25	1 – 25	1 – 25	2 – 20
Liquid Line Connection Size in. (mm)	3/8 (10)	3/8 (10)	3/8 (10)	3/8 (10)	3/8 (10)	3/8 (10)	3/8 (10)
Vapor Line Connection Size in. (mm)	3/4 (19)	3/4 (19)	3/4 (19)	7/8 (22)	7/8 (22)	7/8 (22)	7/8 (22)
Recommended Line Set Liquid Tube Diameter in. (mm)	3/8 (10)	3/8 (10)	3/8 (10)	3/8 (10)	3/8 (10)	3/8 (10)	3/8 (10)
Recommended Line Set Vapor Tube Diameter in. (mm)	3/4 (19)*	3/4 (19)	3/4 (19)*	7/8 (22)*	7/8 (22)*	1-1/8 (29)*	1-1/8 (29)*
* Recommended Vapor Tube Line size is for standard installations. These recommendations may not apply to “Long Line” installations. When the total equivalent line length exceeds 80 feet (24.4m) or there is more than 20 feet (6.1m) vertical separation between indoor and outdoor units, consult the Long Line Application Guideline document before purchasing/installing line sets.							
Suggested Field R-22 Refrigerant Charge for 15 foot (4.6m) Lineset lbs. (kg)	3.56 (1.62)	4.08 (1.85)	4.11 (1.87)	5.35 (2.43)	7.01 (3.19)	8.88 (4.04)	10.52 (4.79)
Required Subcooling °F (°C)	8 (4)	10 (6)	10 (6)	10 (6)	10 (6)	10 (6)	10 (6)
Weight, shipping lbs. (kg)	120 (54)	124 (56)	127 (58)	158 (72)	188 (85)	210 (95)	230 (104)
Weight, operating lbs. (kg)	109 (49)	113 (51)	117 (53)	141 (64)	172 (78)	184 (84)	217 (98)

ELECTRICAL DATA (208/230-1-60, voltage range 197V – 253V)							
Model Size	18	24	30	36	42	48	60
Minimum Circuit Ampacity – <b>MCA</b> (amps)	10.9	14.0	17.7	20.4	25.4	26.7	33.0
Maximum OverCurrent Protective device – <b>MOCP</b> (amps)	15	20	30	30	40	40	50
Compressor <b>RLA</b> (Rated Load Amps) <b>LRA</b> (Locked Rotor Amps)	8.3 40.3	10.8 56.3	13.5 68.3	15.4 87.0	19.2 112.0	20.2 137.0	25.3 146.0
Fan Motor <b>FLA</b> (Full Load Amps)	.5	.5	.77	1.1	1.4	1.4	1.4

\*\*Sound Rating tested in accordance with ARI Standard 270-95 (not listed with ARI).

ACCESSORY USAGE GUIDELINES		
Accessory	REQUIRED FOR LOW-AMBIENT APPLICATIONS {Below 55°F (13°C)}	REQUIRED FOR LONG-LINE APPLICATIONS* {Over 80 Ft.(24.4m)}
Crankcase Heater	<b>Yes</b>	<b>Yes</b>
Evaporator Freeze Thermostat	<b>Yes</b>	No
Winter Start Control	<b>Yes **</b>	No
Hard Start Kit (Capacitor & Relay)	<b>Yes</b>	<b>Yes</b>
Low Ambient Kit (Pressure Switch)	<b>Yes</b>	No
Support Feet, 4" (102mm) tall	Recommended	No
Liquid Line Solenoid Valve	No	See Long-Line Application Guideline

\* For Line Set lengths between 80 and 200 ft (24.4 and 61m) horizontal, or more than 20 ft (6.1m) indoor-outdoor vertical separation, refer to the Long Line Application Guideline document.

\*\* Can only be installed in conjunction with Low Pressure Switch.

ACCESSORIES		
Part Number	Description	Used On Model Size
NASA001SC	Start Component – PTC Device	ALL
NASA001FS	Evaporator Freeze Thermostat	ALL
NASA203PS	Low Pressure Switch	ALL
NASA204PS	High Pressure Switch	ALL
NASA201LS	Liquid Line Solenoid Valve	ALL
NASA001TD	Time Delay Relay, Indoor Blower	ALL
NASA001WS	Winter Start Control	ALL
NASA001AC	Anti-Cycle Timer (5 minute delay)	ALL
NASA201LA	Low Ambient Kit (Pressure Switch)	ALL
NASA001SF	Support Feet, 4" (102mm) tall	ALL
NASA003CH	Crankcase Heater for Compressor	18, 24, 30, 36
NASA001CH	Crankcase Heater for Compressor	42, 48, 60
NASA003SC	Hard Start Kit (Capacitor & Relay)	18, 24, 36, 42, 48
NASA005SC	Hard Start Kit (Capacitor & Relay)	30, 60
NASA001SJ	Sound Jacket, Compressor	18, 24, 30, 36, 42, 48
NASA003SJ	Sound Jacket, Compressor	60
AMF153TKB	TXV Kit, R-22 (converts R-22 piston coils to R-22 TXV)	18, 24, 30, 36
AMF355TKB	TXV Kit, R-22 (converts R-22 piston coils to R-22 TXV)	42, 48, 60

International Comfort Products, LLC  
Lewisburg, Tennessee 37091 USA